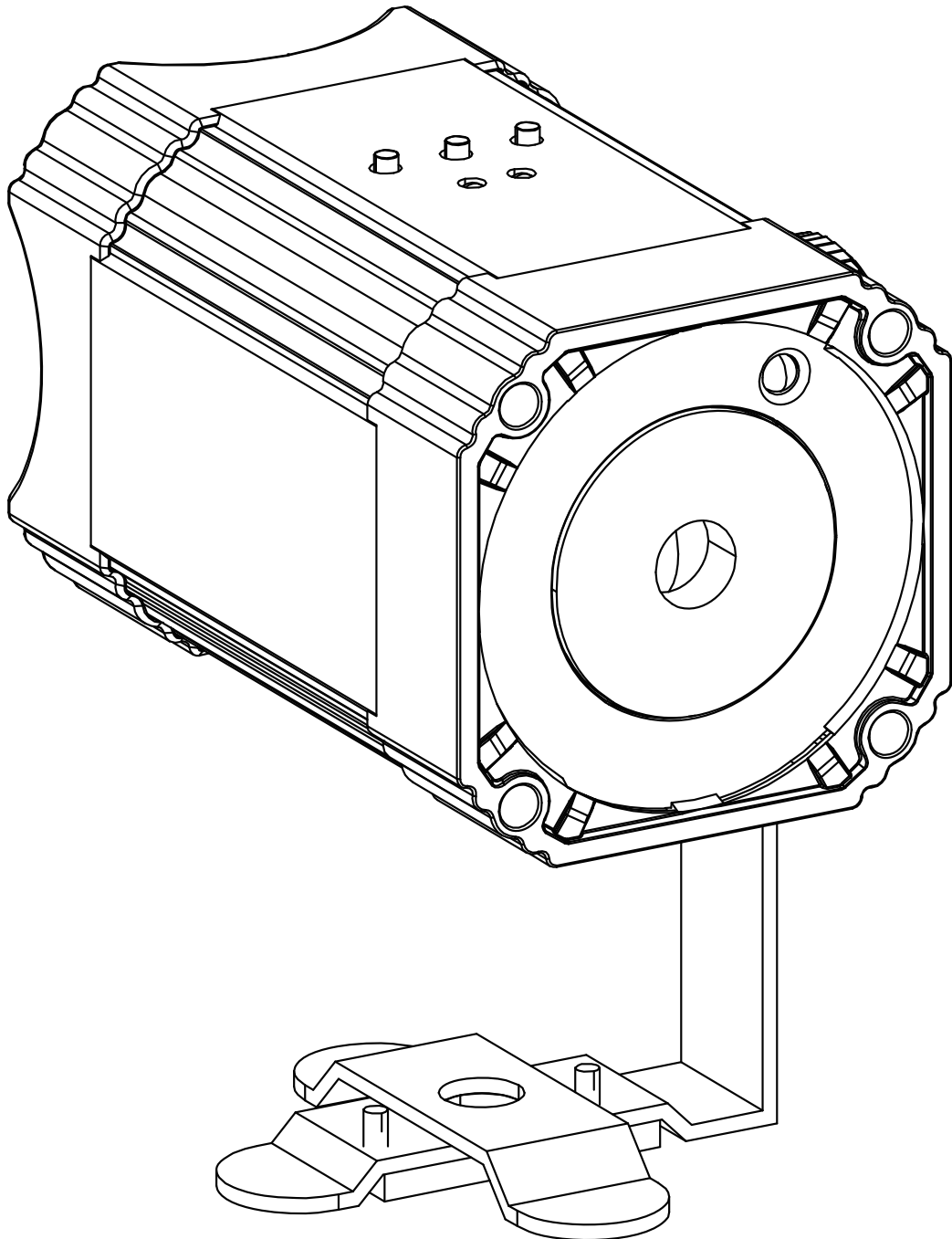


PAR Q1

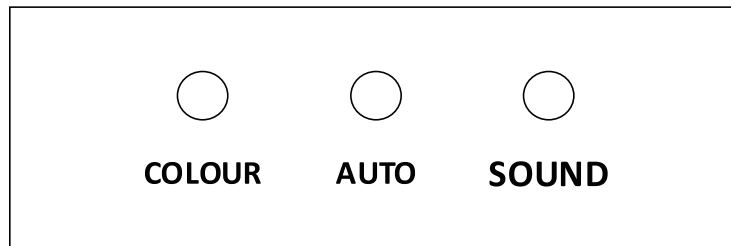


USER MANUAL

Please read the instruction carefully before using.

BUTTON OPERATION INSTRUCTIONS

BUTTON	FUNCTION
COLOUR	Color switch (15 colors)
AUTO	2 Auto-run program switching
SOUND	2 Auto-run program switching

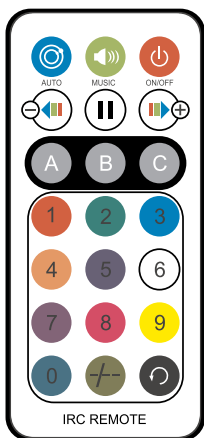


Indicator light description:

1. When entering SOUND mode, the blue indicator lights on.

2. Red and green mixed indicator light, when there is a power supply, it is a charging indicator light. "Red is charging, green means full), when there is no power supply, it is a power indicator. (Green indicates battery capacity 100%-66%, red and green 64%-34%, red is 33%-11%, red flash less than 10%)

IR REMOTE CONTROL INSTRUCTIONS



BUTTON	FUNCTION
	On/off
	Auto mode: Repeated pressing switches programs from 1 - 5
	Sound control: Repeated pressing switches programs from 1 - 5
	Pause
	Decreasing speed in Auto mode
	Increasing speed in Auto mode
 	No function
-	Speed adjustment: 0 is lowest, 9 is highest speed
	Switches between Auto mode and Sound control
	No function